

Model 1030-1035



homecare equipment

SureHands® Body Support

The body support enables you to live more independently



- Lifts quickly, safely and easily
- Can be used independently or with an attendant
- From wheelchair to bed, bath, shower, toilet...
- Leaves the back and seat entirely free - ideal for toilet use
- Also for swimming, hippotherapy and walking
- Comfortable and ergonomical sitting position
- Hygienic
- The patented thigh support fix for extra comfort

Lift & Care systems for people with reduced mobility

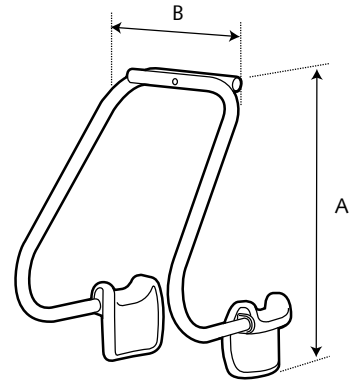
www.homecareequipment.com.au



SureHands® Body Support

● Dimensions (mm)

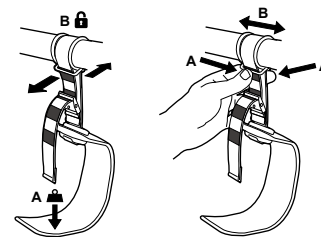
	M	S	XS
A	790	710	670
B	480		



● Thigh support fix

The leg support fix supports a good and comfortable position in the body support.

Under the pressure of the thighs of the user the self-locking feature holds the leg supports in position. Once the pressure is gone, it can easily be moved.



● Technical specifications

Material "arms" 316 stainless steel
 Material "hands" polyurethane
 Maximum load 182 kg

● Versions (M - S - XS)

1030 - Standard

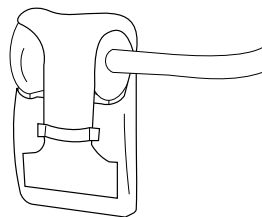
1035 - For the swimming pool: electropolished

● Accessories

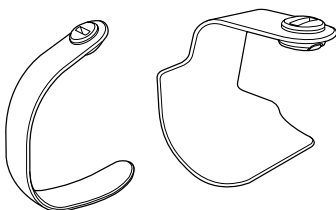
Utility band



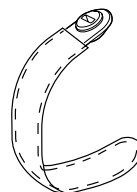
Cushions for curve-around cups



Thigh supports in different dimensions and materials



Fabric covers for thigh supports



For free demonstration or further information

